

# WIRELESS TRANSMITTER DUOS CO<sub>2</sub>

REF.: PA160411110 / PA160412410



IP67  
PROTECTION



Tekon Wireless Transmitter DUOS CO<sub>2</sub> is an accurate solution for measurement and monitoring of CO<sub>2</sub> for demanding applications. Taking advantage from all the features of the DUOS product family, it's the perfect solution for air quality monitoring, agriculture, wine cellars and fermentation processes.

This device uses a dual wavelength NDIR CO<sub>2</sub> sensor with automatic temperature compensation for ageing effects and high accuracy over the entire temperature operating range. The sensor IP65 enclosure together with transmitter IP67 protection level, ensures operation in harsh, wet and polluted environments.

Dimensions: 162 x 88.5 x 25 mm

Weight: 100 g

Material: ABS UL94HB

Protection Index: IP67

## KEY FEATURES

### −40 °C TO 60°C

TEMPERATURE SENSOR MEASUREMENT RANGE\*

### AGRIFOOD INDUSTRY COMPATIBILITY

COMPATIBLE WITH AGRIFOOD INDUSTRY STANDARDS

### DUAL PROBE

INTERNAL TEMPERATURE AND EXTERNAL CO<sub>2</sub> PROBE

### WIRELESS LINK INDICATION (RSSI)

AUTO DISCOVERY OF THE BEST WIRELESS LINK

### MULTIPLE CO<sub>2</sub> MEASUREMENT RANGES

2.000PPM, 5.000PPM, 10.000PPM, 3% AND 5%

### WATER RESISTANT

IP67 PROTECTION (TRANSMITTER)

IP65 PROTECTION (CO<sub>2</sub> PROBE)

\* The temperature measurement sensor range is related with the external temperature probes.

PA160411110.DS.ENG.V01.3.2018

**TECHNICAL SPECIFICATIONS**

RADIO SPECIFICATIONS	868MHZ	2.4GHZ
Range <sup>1</sup>	Up to 4 Km LoS, 868MHz, 27 dBm (500mW)	Up to 2 Km, 2.4GHz, 10dBm (10mW)
Minimum Separation Distance	3 m, 868MHz, 27 dBm (500mW)	até 2 Km, 2.4GHz, 10dBm (10mW)
Radio Transmit Power	0 to 27 dBm <sup>2</sup>	-10 a 17dBm <sup>2</sup>
Radio Receiver Sensitivity	-97 to -110 dBm <sup>2</sup>	-91 até -108dBm <sup>2</sup>
Frequency Band	868.050 to 869.575 MHz <sup>2</sup>	2400.75 até 2482.75 MHz <sup>2</sup>
Radio Channels	16, 868MHz	83, 2.4GHz
Radio Transmission Rate	1.2 to 76.8 kbit/s <sup>2</sup>	
Modulation	GFSK	
Encryption method	AES 128 (Advanced Encryption Standard)	

WIRELESS NETWORK	
Maximum Devices	55
Maximum Hops	13
Communication Period	16 to 3600 seconds (configurable)

CO2 MEASUREMENT – EXTERNAL PROBE	
Connector	M8 female socket, 4 poles
Acquisition Range <sup>3</sup>	0-2000ppm 0-5000ppm 0-10000ppm 0-3% 0-5%
Precision at 25°C and 1013 mbar	0 to 2000ppm: +- 50ppm + 2% measured value 0 to 5000ppm +- 50ppm + 3% measured value 0 to 10000ppm +- 100ppm + 5% measured value 0 to 3%: +- 1.5% of the scale + 2% measured value 0 to 5%: +-1.5% of the scale + 2% measured value
Sampling Time	16 <sup>4</sup> to 3600 seconds (configurable)
T90 (90% step response)	60 seconds (16 second sampling)
Operating Temperature	-40°C to 60°C (0-100%RH non-condensing)

TEMPERATURE MEASUREMENT INTERNAL PROBE	868MHZ	2.4GHZ
Range	-40 to 80 °C	-20 to 80 °C
Resolution	0.1 °C	
Accuracy	Typical: ± 0.25 °C / Maximum: ± 0.5 °C	
Sensor Type	I2C digital sensor	
Sampling Time	16 <sup>3</sup> to 3600 seconds (configurable)	

<sup>1</sup> Range depends on the environment and line of sight. Always verify your wireless network's range by performing a Site Survey.

<sup>2</sup> Dependent on radio channel selection.

<sup>3</sup> CO2 acquisition range available upon probe selection. Probe sold separately.

<sup>4</sup> Factory setting.

**SUPPLY VOLTAGE**

3x3.6 AA lithium batteries (SAFT LS14500)<sup>5</sup>

External power supply with 12 VDC ± 5%

Peak current draw of 500 mA

Supply voltage measurement accuracy ± 1 V DC

**BATTERIES LIFETIME (EXAMPLE)**

Communication Period (s)	868MHZ	2.4GHZ
	Estimated Battery Lifetime (months)	
15	0.6	1.1
60	2.1	3.5
600	10.2	12.4
3600	15.9	16.3

**LOW BATTERY**

	Tint <sup>6</sup> > 25°C	-25 < Tint < 25	Tint < -25
Voltage Threshold [VDC]	8,5	(Tint / 50) + 8	7,5

**CRITICAL BATTERY**

	Tint > 25°C	-25 < Tint < 25	Tint < -25
Voltage Threshold [VDC]	8	(Tint / 50) + 7,5	7

**INTERFACE**

2 blue LED for wireless network address identification and general operation status

1 red LED and 1 green LED for wireless network operation status

1 magnetic reed switch for system reboot

1 M8 female socket with 5 poles for device configuration through host computer

**OPERATING ENVIRONMENT**

	868MHZ	2.4GHZ
Probe	-40 °C to 60 °C	-40°C to 60°C
Transmitter	-40 °C to 80 °C	-20°C to 80°C
95% maximum relative humidity (non-condensing)		

**HOUSING**

Dimensions:	162 x 88.5 x 25 mm
Weight:	100 g
Material:	ABS UL94HB
Protection Index:	IP67

**FACTORY DEFAULT CONFIGURATION**

	868MHZ	2.4GHZ
Frequency	869.525 MHz	2403.75 MHz
Radio Transmit Power	27 dBm	10dBm
Radio Transmission Rate	76.8 kbit/s	
Wireless Channel	13	4
Transmitter ID	55	
Communication Period	16 seconds	
Configuration time window at startup	10 seconds	
Wireless Network ID	16777217	

<sup>5</sup> Batteries not included.

<sup>6</sup> Internal Temperature.

**CALIBRATION SETTINGS**

Linear Calibration (y=mx+b)	m	b
CO <sub>2</sub>	1 (default)	0 (default)
Internal Temperature	1 (default)	0 (default)
Software configurable values		

**CERTIFICATIONS AND COMPLIANCE**

EN 61326 Electrical equipment for measurement, control and laboratory use. EMC requirements.

IEC 61000-4-2 Radiated, Radio-Frequency, Electromagnetic Field Immunity Test

IEC 61000-4-3 Electrical fast transient/burst immunity Test

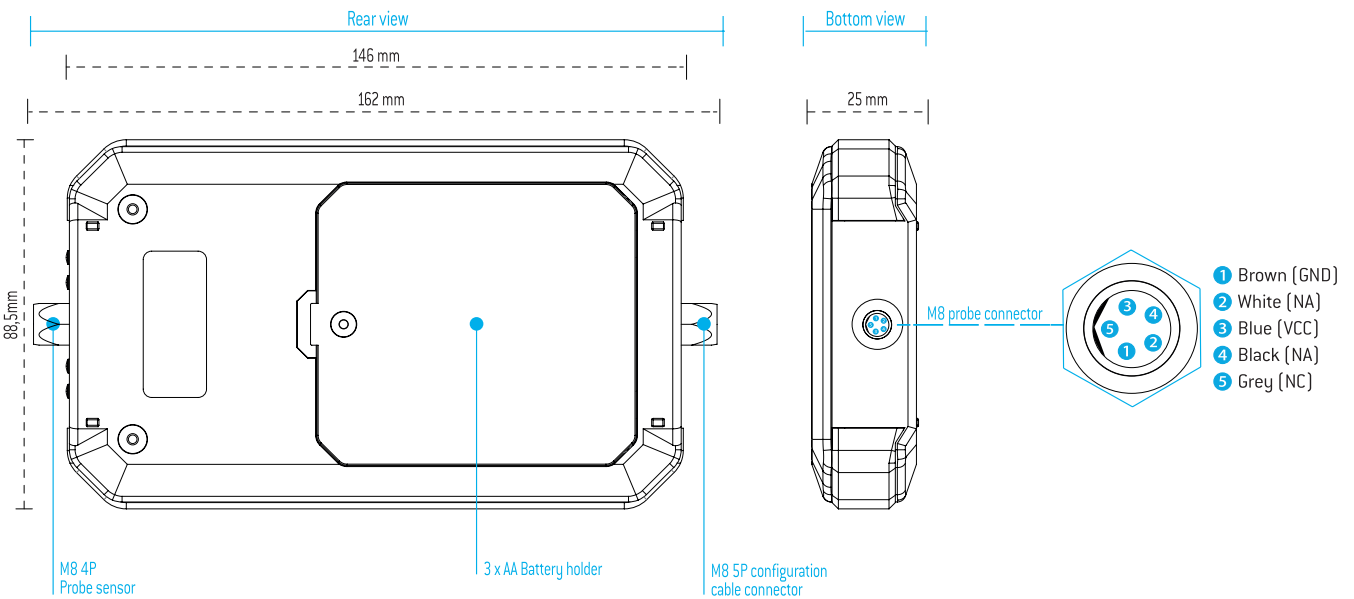
IEC 61000-4-4 Surge Immunity Test

IEC 61000-4-5 Electrostatic discharge immunity test

**TECHNICAL DRAWINGS**

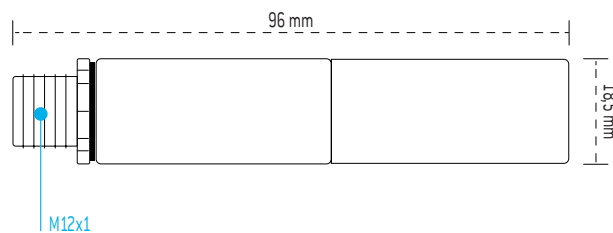
**DIMENSIONAL DRAWINGS AND INTERFACE DESIGN**

**POWER SUPPLY AND COMMUNICATIONS CONNECTOR**



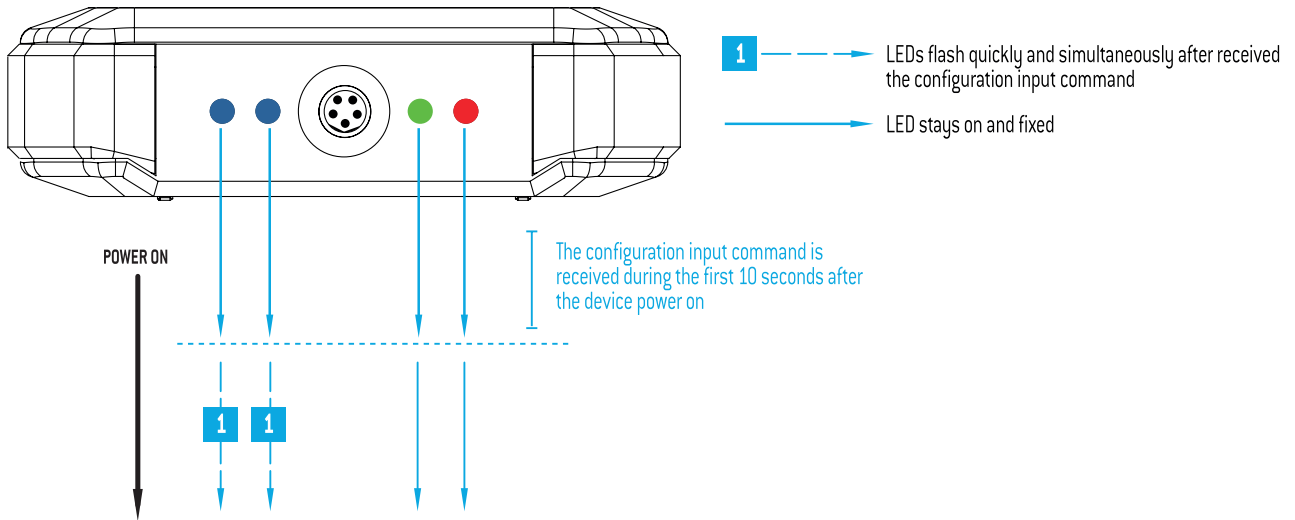
**DIMENSIONAL DRAWINGS AND INTERFACE DESIGN**

**DIGITAL CO2 PROBE**

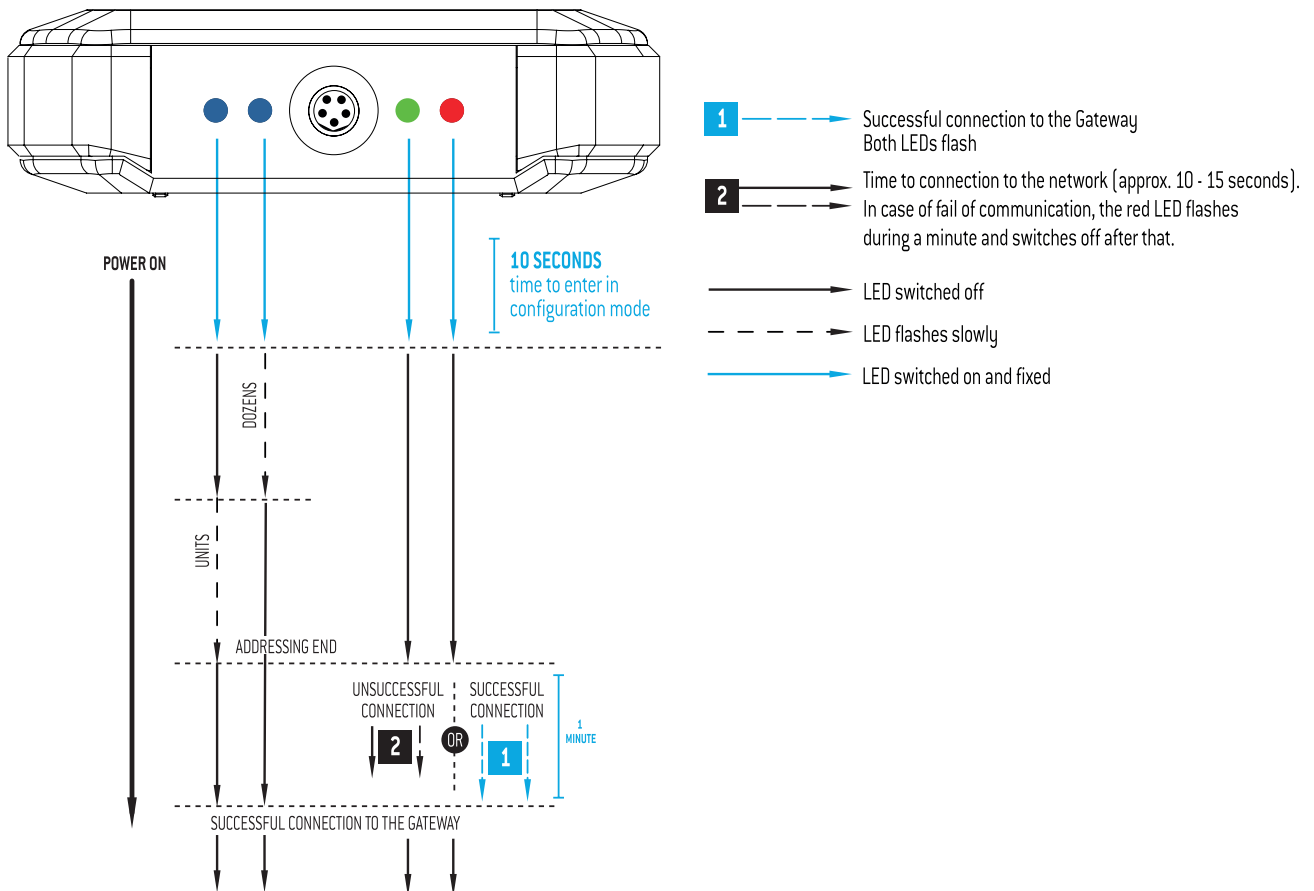


**LEDS INDICATION**

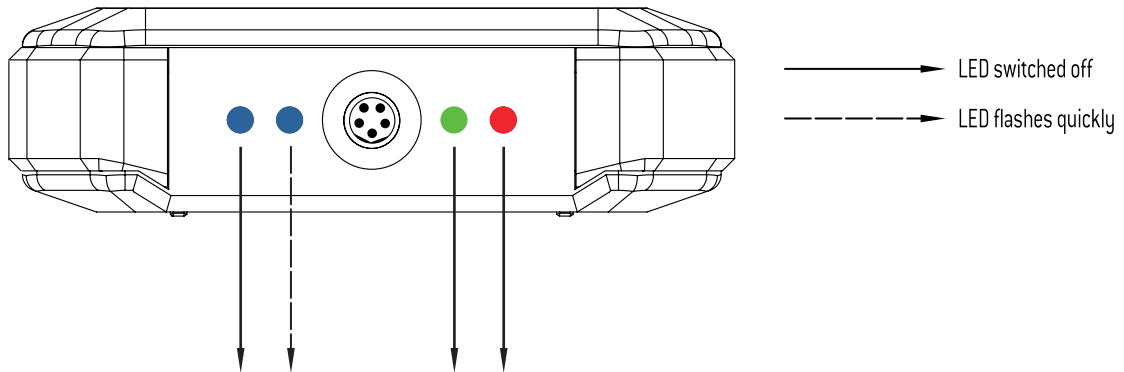
**STARTING EQUIPMENT IN CONFIGURATION MODE**



**STARTING EQUIPMENT NORMALLY**



TRANSMITTER FAILURE



CRITICAL BATTERY LEVEL

**CRITICAL BATTERY LEVEL**  
 Device stops communication with Gateway  
 One LED stays permanently flashing at 0.5Hz (1 second on, 1 second off) and the remaining LEDs are switched off.

————> LED switched off  
 - - - -> LED flashes slowly

## ACCESSORIES

**DUOS CO<sub>2</sub> PROBE TK871-HR5000J2 (A) WITH 2 METER CABLE (B)**

REF.: PA160410010 (A) / PA160410011 (B)

5000 ppm CO<sub>2</sub> probe for Wireless Transmitter DUOS CO<sub>2</sub> 868 MHz**DUOS TRANSMITTER SARC**

REF.: PA160410005

Cable used to configure DUOS Transmitter using Tekon Configuration software.

**DUOS POWER SUPPLY 230VAC/ 12V DC**

REF.: PA160410006

230V/50Hz Power supply cable.

**DUOS EXTERNAL POWER CABLE**

REF.: PA160410008

DUOS transmitter power supply cable.

## COMPLEMENTARY PRODUCTS

**WIRELESS GATEWAY DUOS**

REF.: PA160410210 / PA160411910

- Scalable network up to 55 transmitters;
- Supports up to 12 repeaters in series;
- Up to 4Km [868MHz] / 2Km [2.4GHz] communication distance (LoS) with 128-bit AES encryption;
- Automatic Mesh Network Management;
- Automatic communication quality mechanisms;
- Multiple networks simultaneously;
- AES KEY Data encryption 128bits;
- Modbus RTU communication for process;
- Simple, intuitive and free configuration software.

**WIRELESS REPEATER DUOS**

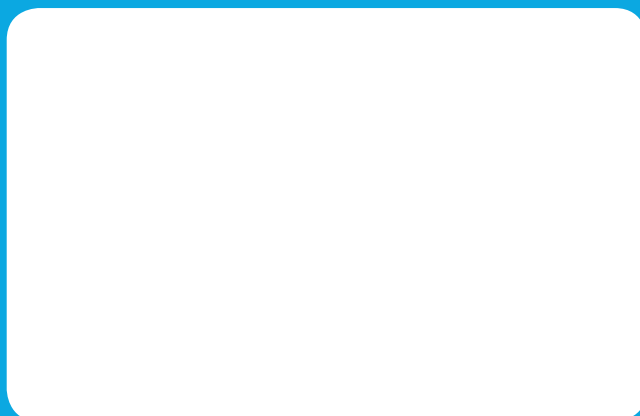
REF.: PA160410310 / PA160412010

- Up to 4Km [868MHz] / 2Km [2.4GHz] communication distance (LoS);
- Auto discovery of the best wireless link;
- Automatic forwarding of communication;
- Simple, intuitive and free configuration software.

**TEKON ELECTRONICS**  
a brand of Bresimar Automação S.A.

Quinta do Simão  
3800-230 Aveiro  
PORTUGAL

P.: +351 234 303 320  
M.: +351 933 033 250  
E.: [sales@tekonelectronics.com](mailto:sales@tekonelectronics.com)



Cofinanciado por:



UNIÃO EUROPEIA  
Fundo Europeu  
de Desenvolvimento Regional