

Global connectivity

**2G 4G NB-IoT/
Cat.M1**

**Indoor and outdoor Po-
sitioning WIFI GNSS LBS**

IP68 Rugged

AOVX

**Magnet
Install
Free**



Battery Capacity:

**7800 mAh (Lithium thionyl
chloride batteries)**

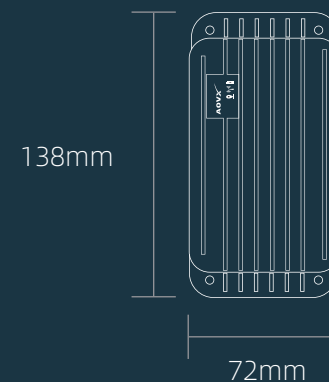
Extended BLE Sensors

Battery Life:

7 Years @ 1 report per day

Data Encryption:

TEA, AES or RSA (optional)



Dimensions:

138mm x 72mm x 22mm

2022 PRODUCT SPEC

“ THE DATA THROUGH THE WHOLE SHIPMENT IS CRUCIAL , SO WHAT WE NEED IS NOT ONLY TRACKER , BUT ALL DATA . ”

Aovx A series tracker devices are ideally for field assets , returnable containers with rugged IP68 enclosure and long battery life up to 7 years .Magnet install free for labor cost saving .

Integrates global connectivity by cellular network 2G,4G Cat.1 , NB-IoT and Cat.M1 without data plan contract .

Aovx A series tracker devices have integrated multiple sensors for monitoring of movement , vibration , tampering , delay , overspeed and geofence . Indoor and outdoor positioning supported by WIFI ,LBS and GPS ,GLONASS ,GALILEO and BEIDOU . Short range wireless BLE [Bluetooth Low Energy] is flexible for easy configuration, pair with external BLE sensors or accessories , which makes A series tracker device working as BLE gateway .

Aovx data is always crucial for assets management , which has been encrypted , data buffer capacity and uploaded via TCP/MQTT protocols ,make it easy to deploy in the cloud platform. Firmware over the air OTA is always important for after sale maintenance.

Aovx insight platform view location and condition data of your shipments in real time to ensure on time and in full delivery, specify the constraints relevant to your shipments and receive notifications when issues arise and create detailed reports to share with customers and analyze your data to identify improvement opportunities.



“AOVX VISION IS TO HAVE SHIPMENT FULLY TRANSPARENT , WHERE THE ASSETS ARE ALL IN SAFE AND UNDER CONTROL ”

" People in the world are connected by mobile phone in the daily life , they share the location , emotion in the internet . At the age of IoT , we are thinking about if it is possible to have a basic functional mobile phone for these assets , which make them connected and have their data managed , it would make shipment smarter and make assets safer .That's the reason why Aovx is here . Aovx team members are from Quectel ,Queclink ,Hikvision and Sony . Strong knowledge of cellular modules ,worldwide network and regulatory in tracker field .

Aovx assets tracker solutions corp. is committed to protecting the assets in warehouse and in-Transit process , rather than location service , assets condition is also under monitored - vibration status , temperature alert embedded with multiple sensors and wireless technology , 4G LTE , NB-IOT and Cat.M1 , WIFI and BLE .

Supported by "service consciousness, customer experience, executive action " business philosophy, continue to provide customers with stable and reliable product and technology sales services, grow together with customers success."

RICKY GUO

CEO

Aovx assets tracker solutions corp.



LinkedIn
Scan QR code

OVERVIEW

Power Light

Network Light

GNSS Light



Magnet



Light sensor

ASSET TRACKING A SERIES

FEATURES

General Specification

Operating Temperature	-20°C ~ +70°C
Dimensions	138mm × 72mm × 22mm
Weight	Approx. 192g (AL300/AG300/AM300)
Firmware Upgrade	USB interface, OTA
IP Grade	IP68
Data Encryption	TEA, AES or RSA(optional)
Supply Voltage	3.6V Non-rechargeable
Stand-by Current	≤70uA
Battery Life	7 Years @ 1 report per day

Global Deploy

• Variant for the Global

AM300-GL (Cat M1):	LTE FDD: B1/B2/B3/B4/B5/B8/B12/B13/B14/B18/B19/B20/B25/B26*/B27/B28/B66/B71/B85 GSM: 850/900/1800/1900MHz
AL300-GL* (Cat 1):	LTE FDD: B1/B2/B3/B4/B5/B7/B8/B12/B13/B18/B19/ B20/B25/B26/B28 GSM: 850/900/1800/1900MHz
AG300-GL* (GSM only):	GSM: 850/900/1800/1900MHz

• Variant for China/India

AL300-CN (Cat 1):	LTE FDD: B1/B3/B5/B8 LTE TDD: B34/B38/B39/B40/B41 GSM: 900/1800MHz
-------------------	--

• Variant for EMEA

AL300-EM (Cat 1):	LTE FDD: B1/B3/B5/B7/B8/B20/B28 GSM: 850/900/1800/1900MHz
-------------------	--

• Variant for Latin America

AL300-LA (Cat 1):	LTE FDD: B2/B3/B4/B5/B7/B8/B28/B66 GSM: 850/900/1800/1900MHz
-------------------	---

• Variant for North America

AL300-NA* (Cat 1 only):	LTE FDD: B2/B4/B5/B12/B13/B25/B26
AM300-NA (Cat M1 only):	LTE FDD: B1/B2/B3/B4/B5/B8/B12/B13/B14/B18/B19/B20/B25/B26*/B27/B28/B66/B71/B85

General specification

Horizontal Position Accuracy	Autonomous: <2.5m CEP
Velocity Accuracy	Without Aid: <0.1m/s
Acceleration Accuracy	Without Aid: <0.1m/s ²
Reacquisition Time	<1s
TTFF @-130dBm with EASY™:	Cold Start: <15s; Warm Start: <5s; Hot Start: <1s
TTFF @-130dBm without EASY™	Cold Start: <35s; Warm Start: <30s; Hot Start: <1s

Hardware Features

USB	× 1, Micro
(U)SIM Interface	Nano SIM card
Cellular Antenna	internal
GNSS Antenna	internal, GPS/GLONASS/BeiDou
LED	× 3, Power Light, Network Light, GNSS Light
WLAN:	2.4G (AG300-GL*)
Bluetooth	5.0 (AG300-GL*)
Motion Sensor	Gravity Measurement Range: ±2g/±4g/±8g/±16g ODR Bandwidths: 1Hz ~ 400Hz
Light Sensor	Measuring Range: 1~ 1000 levels Spectral Peak: 540 nm
Battery Capacity	7800 mAh (Lithium thionyl chloride batteries)

Air Protocol

LTE (Cat 1)	LTE FDD: Max 10Mbps (DL)/Max 5Mbps (UL) LTE TDD: Max 8.96Mbps (DL)/Max 3.1Mbps (UL)
LTE (Cat M1)	LTE FDD: Max 588Kbps (DL)/Max 1119Kbps (UL)
GSM	GPRS: Max 107Kbps (DL)/Max 85.6Kbps (UL) EDGE: Max 296Kbps (DL)/Max 236.8Kbps (UL)
Command Set	Track protocol command
Transmit Protocol	TCP , MQTT
Working Modes	Power saving mode for long standby time Continuous mode for emergency tracking
Scheduled Timing Report	Report position and status at preset time intervals
Wakeup Report	Report when the device wakes up
Geo-fences	Support up to 5 internal geo-fence regions
Low Power Alarm	Alarm when internal battery is low
Motion Detection	Motion detection based on internal 3-axis accelerometer